



AVA MASTER SERIES

Swivel lock assembly

Needed tools:

- T25 (torx) screwdriver with a length of 200mm minimum.
- Small flat screwdriver
- Pliers

1

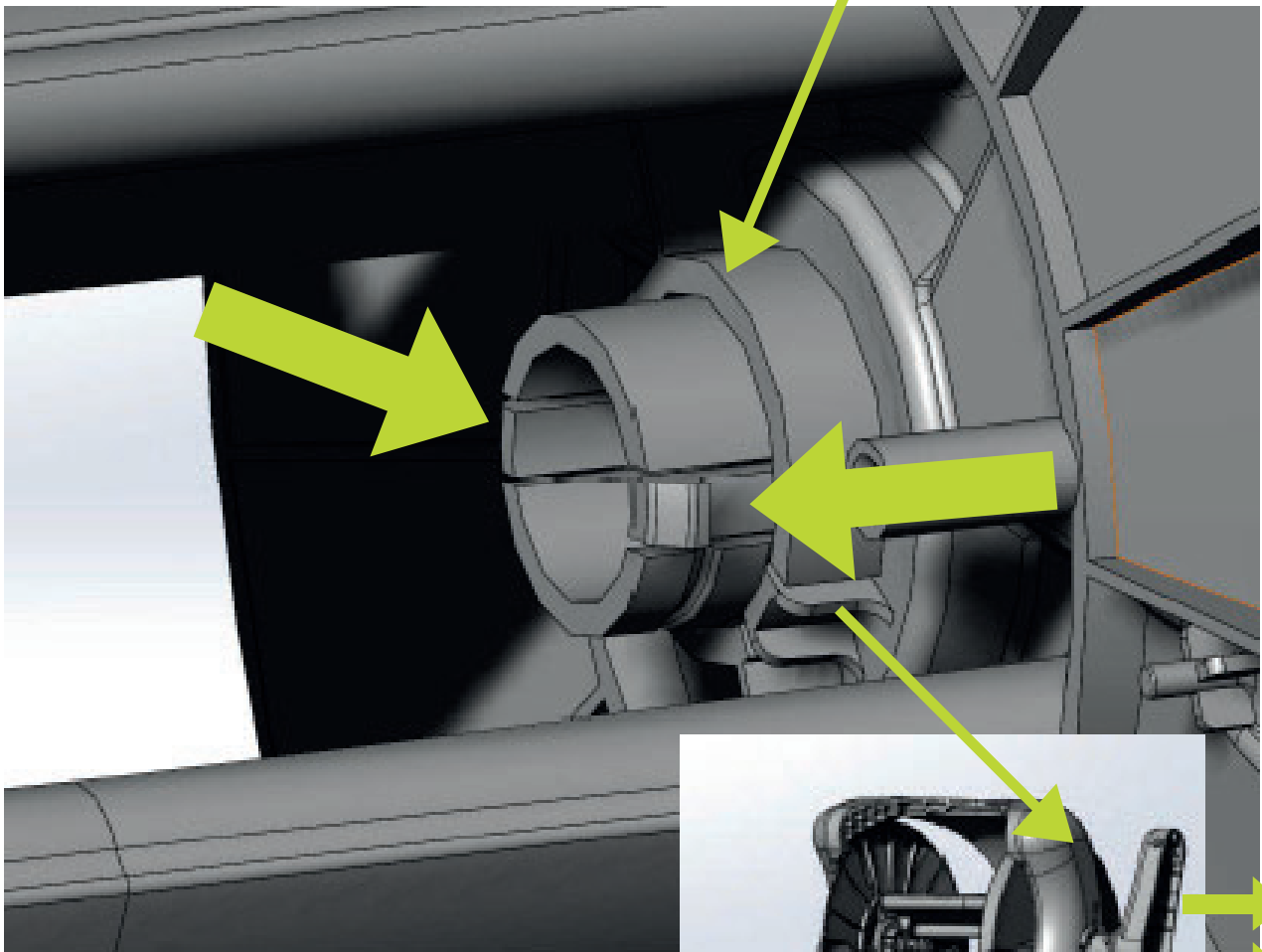
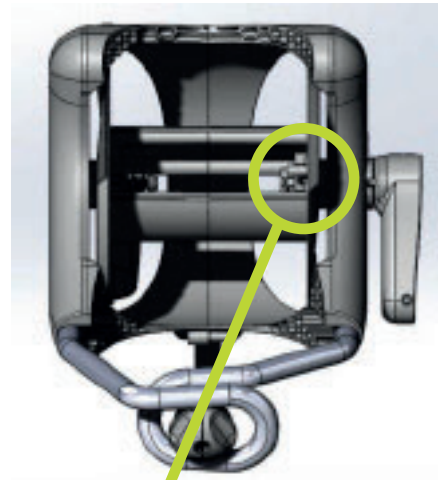


NOTE! Disconnect all power before starting service!

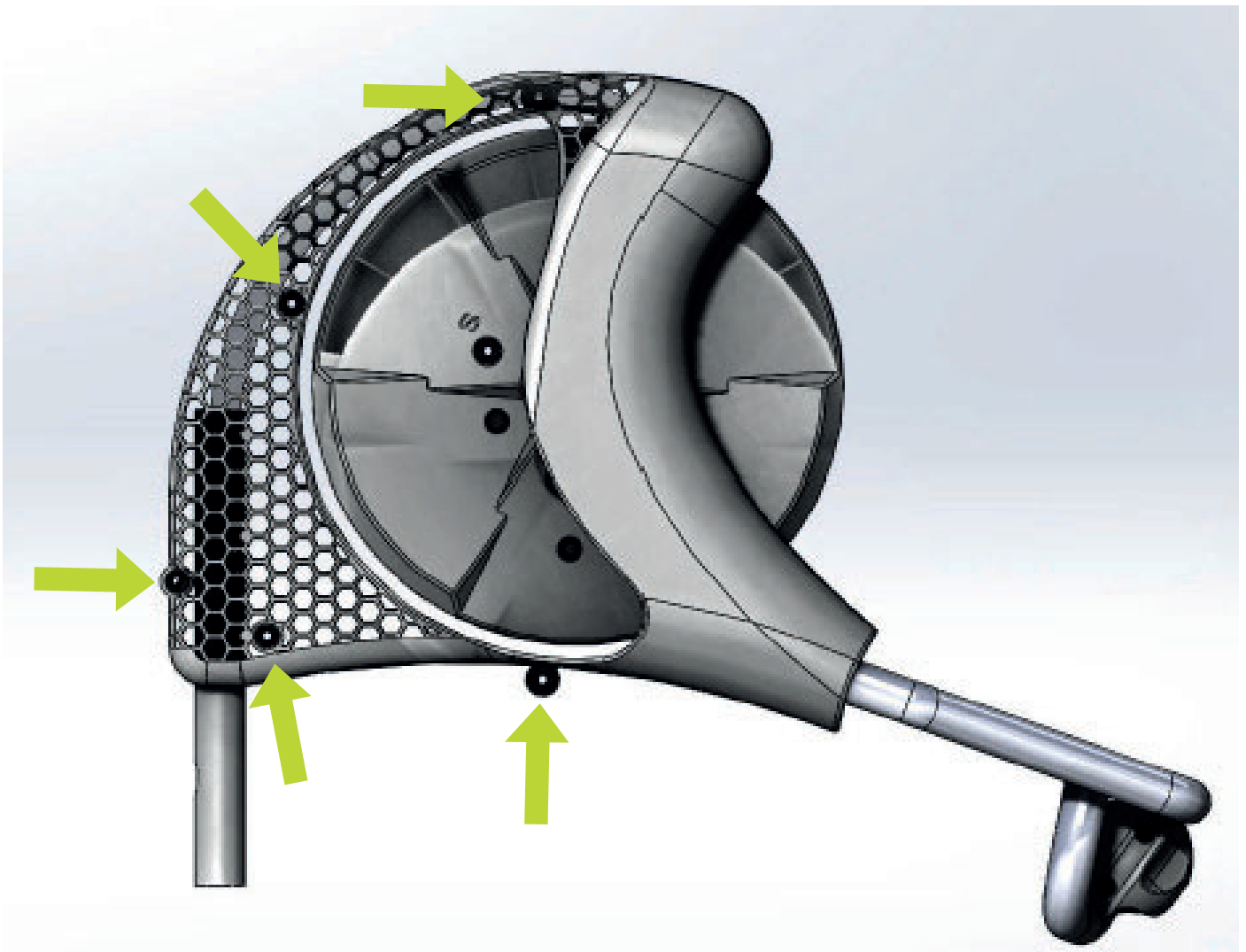
This guide explains in detail how to proceed when changing the main shaft and swivel locking device on the AVAMaster series. This is an extensive job, but easy to do. Expected completion time is one to two hours.

Step one: Remove the reel assembly from the machine. Start by pulling the hose out of the hose reel. When the hose is completely unrolled, you can see the hand crankshaft.

- Push the locking mechanism towards the center and pull the swivel bar out of the wheel holder at the same time. It is not necessary to pull out the shaft completely.



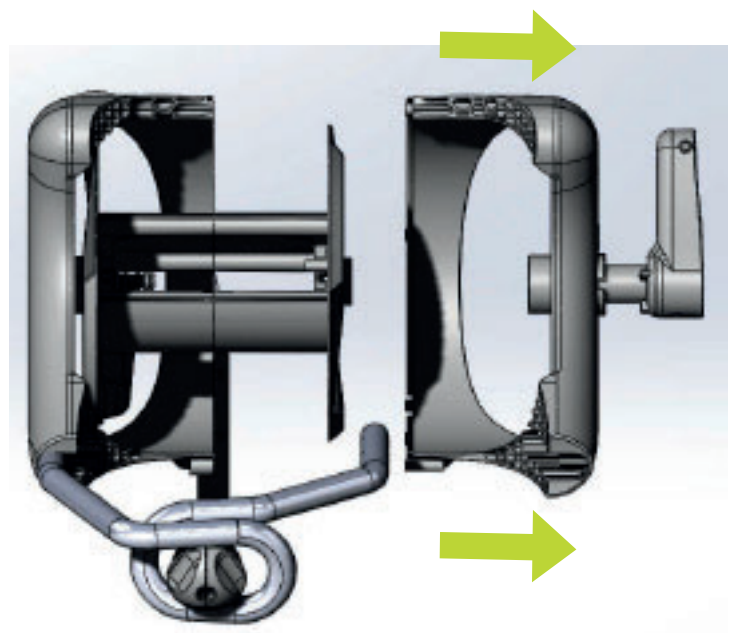
2



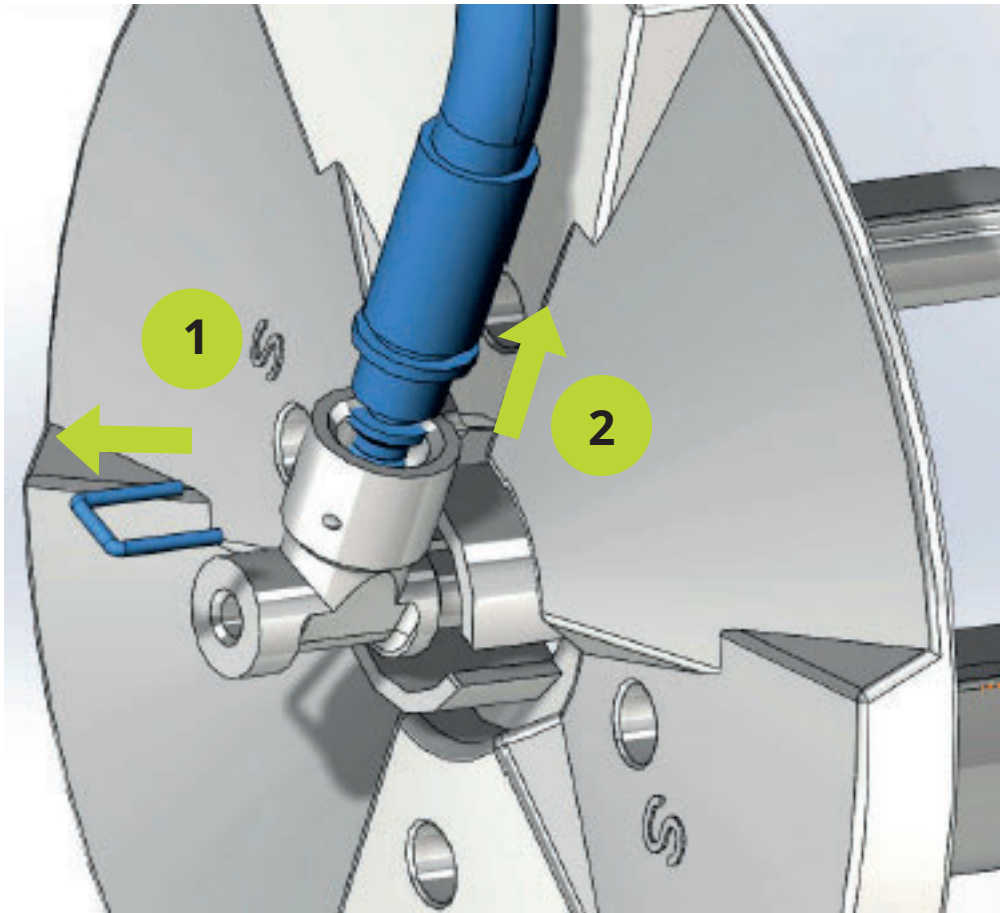
The next step is to split the wheel holder and then release it from the machine.

- Unscrew the five screws that secure the reel holder. The top screw is located behind the hose, so you must bend it to the side to access the screw.

You should now be able to release the right side of the reel frame from the machine.



3



Release of the left side of the wheel frame:
Pull the locking pin (1) out of the 90 ° swivel. (use a screwdriver or pliers if needed).

- When the locking pin is removed, the hose (2) can be pulled out of the swivel.

The roller and hose are now detached from the wheel holder

- Remove the reel.

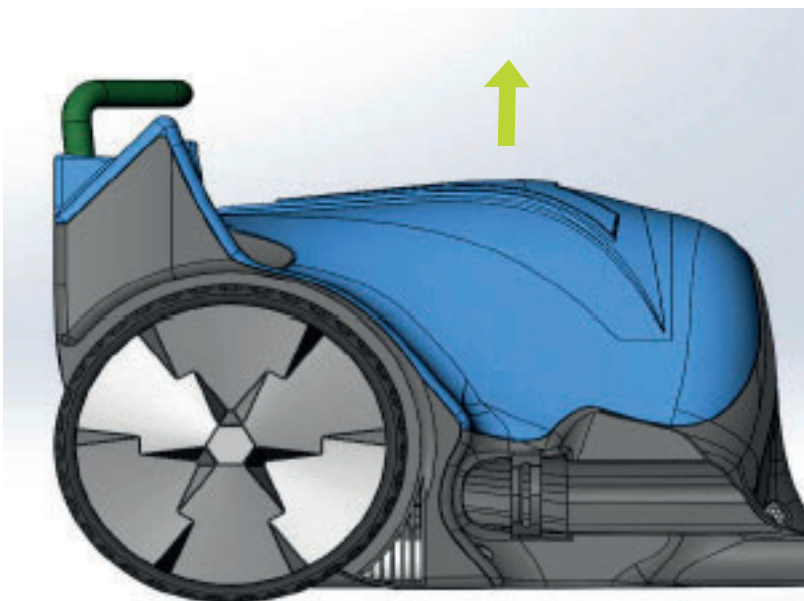
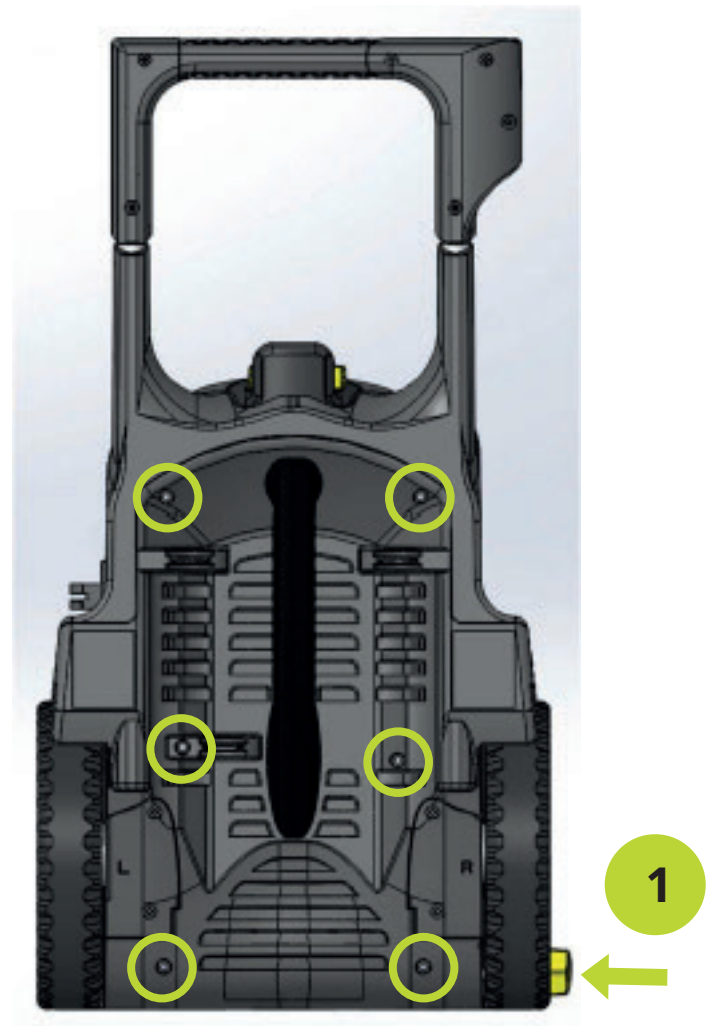
- You can now release the left side of the reel holder from the hose (2).

- Now that the reel assembly is off the machine and we can move on to the next step.

4

Now we are going to open the machine and remove the pump and the motor. The front cover of the machine is fixed with 6 screws on the back of the machine.

- Remove the six screws from the back of the machine as indicated in the drawing. It will be necessary to use a long Torx T25 screwdriver (min 200mm).



When all six screws have been removed, place the machine flat on its back before removing the cover.

Remove the water filter if you have not already done so.

- It should now be possible to remove the front page shown here with (blue color).
- The aluminum strut (shown in green, top left) will come loose with the front cover.
- If the front cover is stuck in the area around the aluminum stay, it may help to press the lock button (1) to release the stay.

5

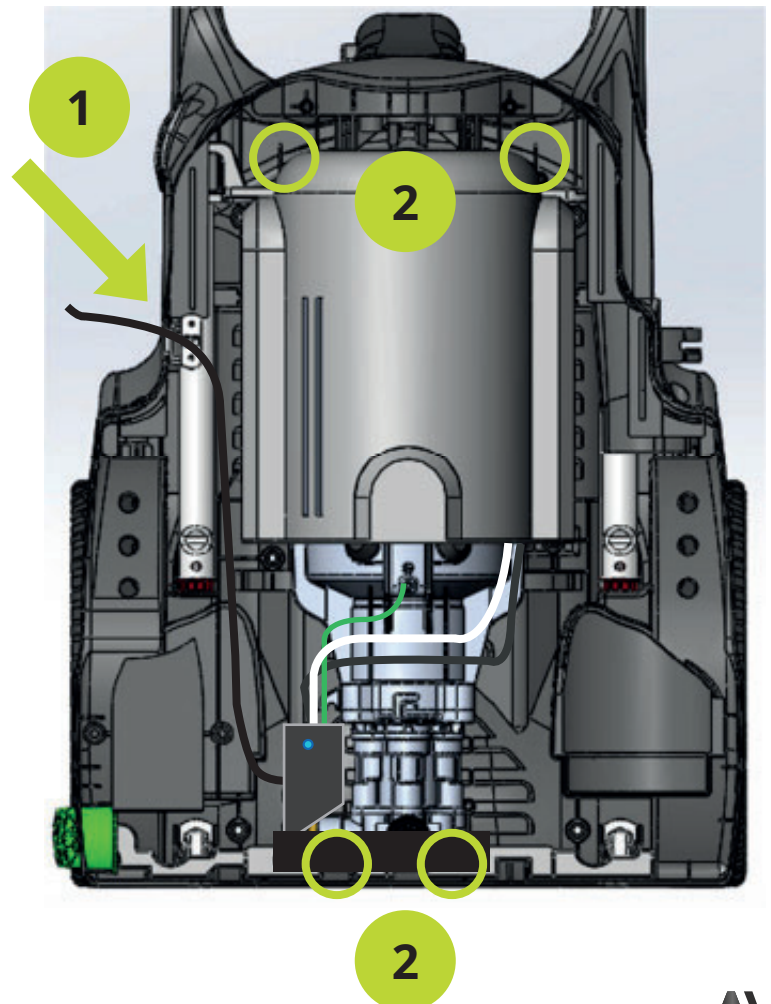
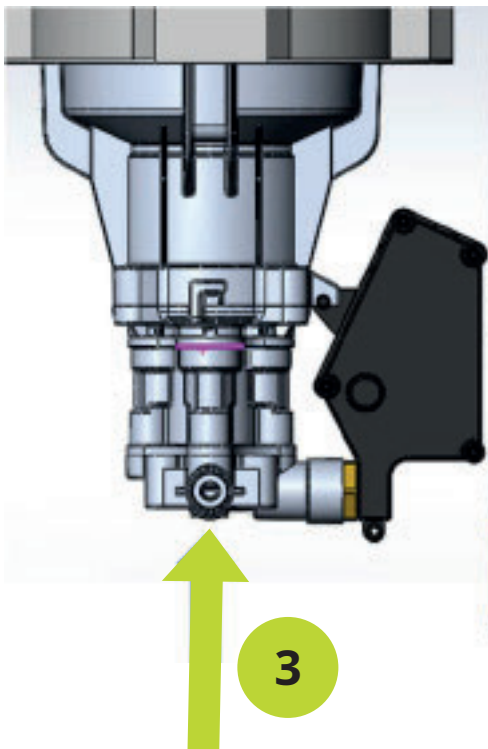
To replace the swing lock assembly, remove the motor and pump.

Loosen the power cord by pulling the strain relief straight up from the side cover. It is not necessary to disassemble the strain relief.

2. The motor and pump are attached in four places, two screws on the motor cover and two screws on the pump cover. Unscrew all four screws.

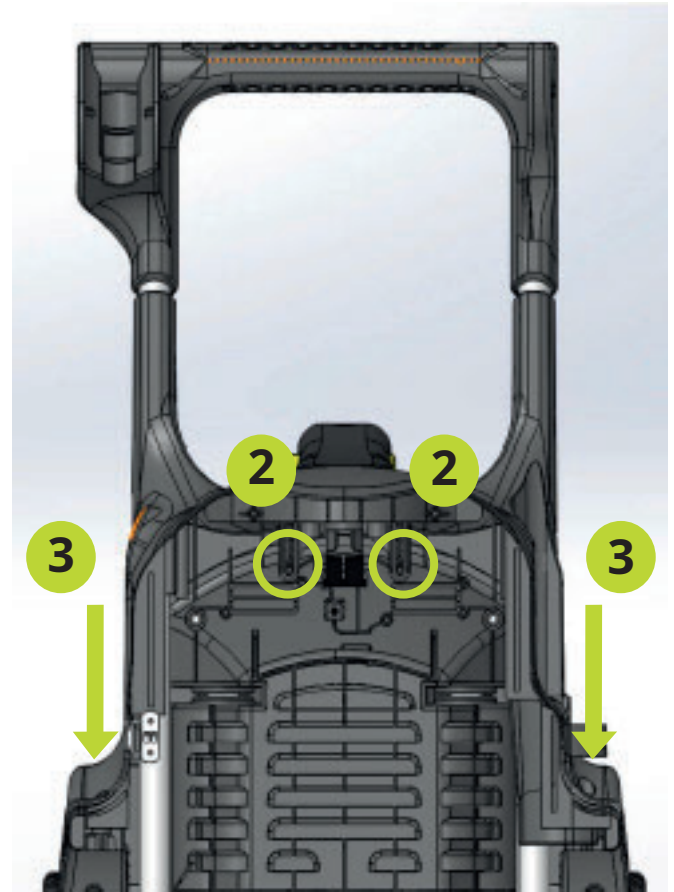
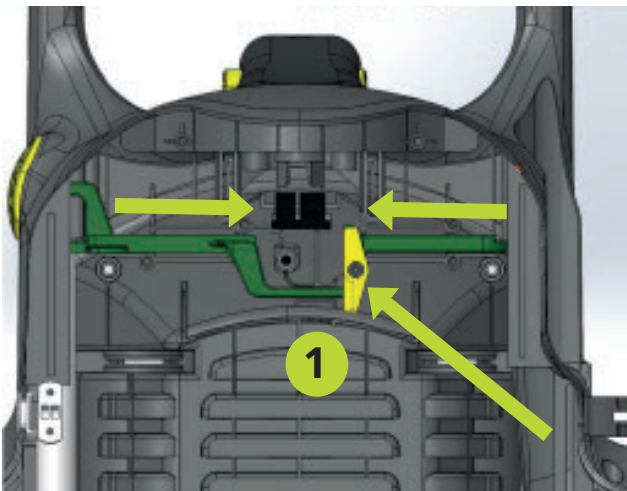
3. It is now possible to lift out the motor / pump unit.

4. It is not necessary to disconnect the high pressure hose from the pump, but it may make the machine easier to handle. To release the hose from the pump, pull out the U-clamp that is at the 90 ° turn.



6

The swivel lock unit is fixed with four screws. To access these screws, the upper part of the high pressure washer must be removed.



1. First unscrew the screw that holds the yellow rocker arm. Pull off the rocker arm.

Press the two locking arms (marked in green) against center and pull them out.

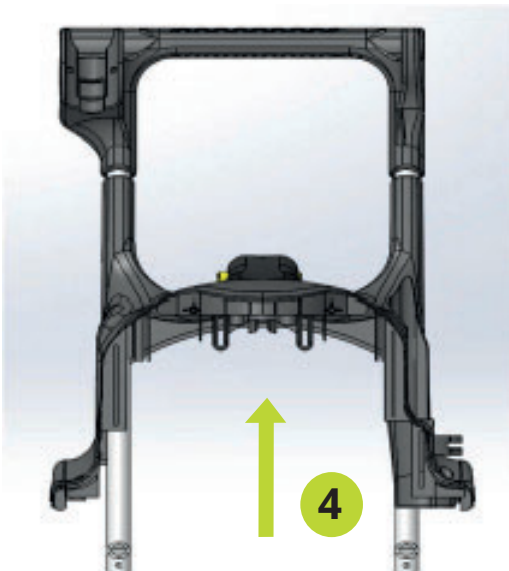
The arm on the left side also includes the push button.

!! There is a coil spring on the back of each of these arms, so be careful not to misplace this !!

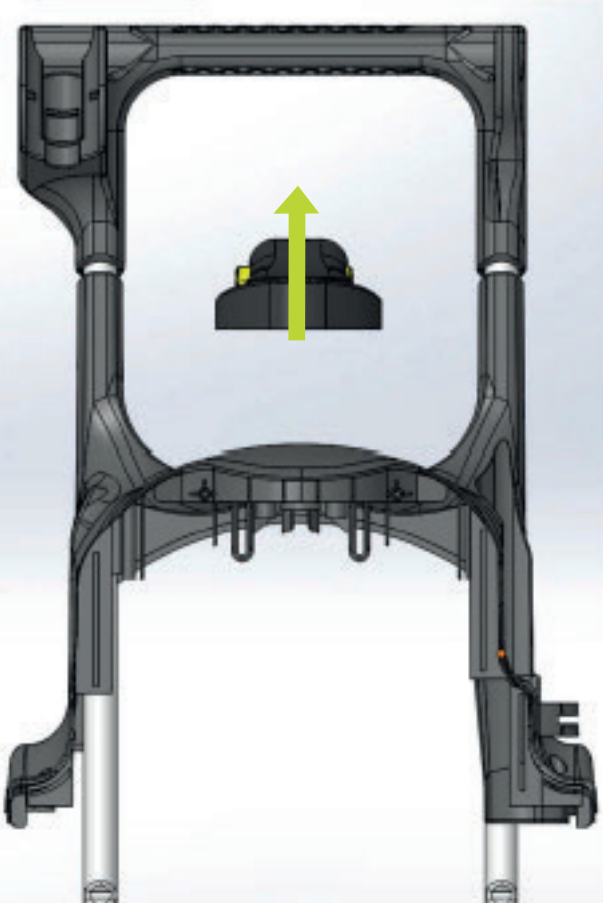
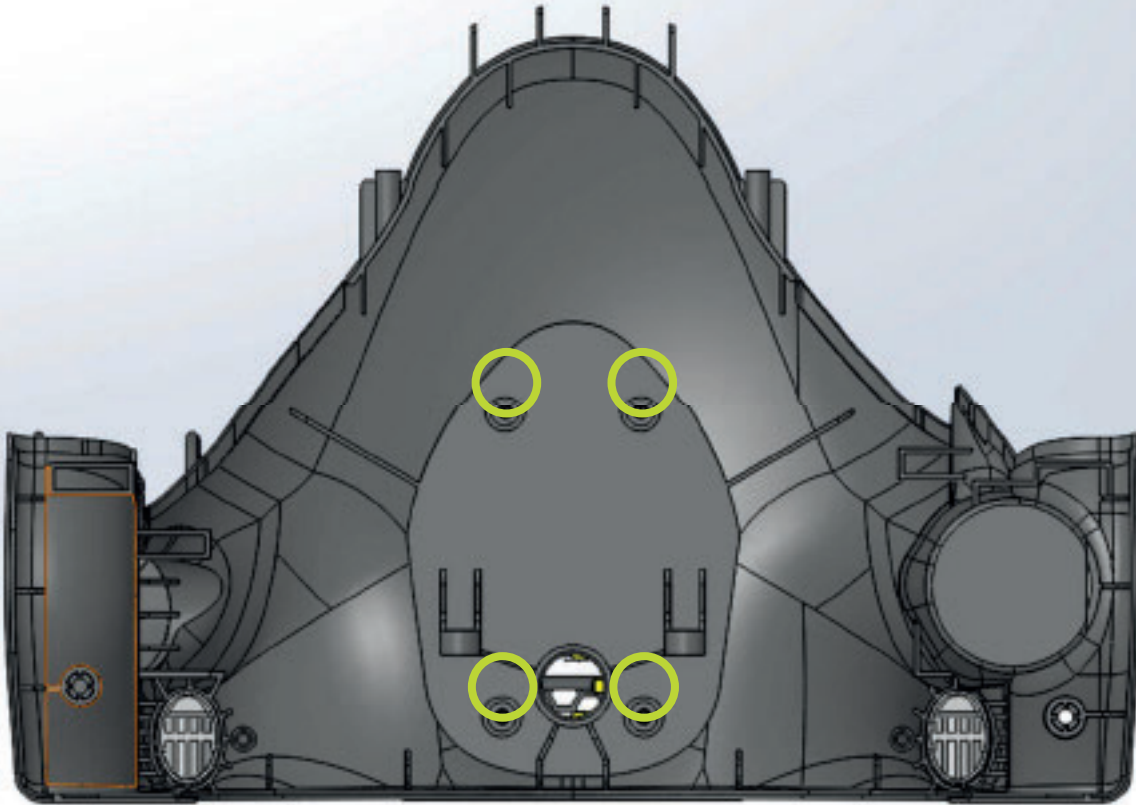
2. Unscrew the two screws located here.

3. Unscrew the two screws located here.

4. You can now pull off the upper part of the pressure washer.



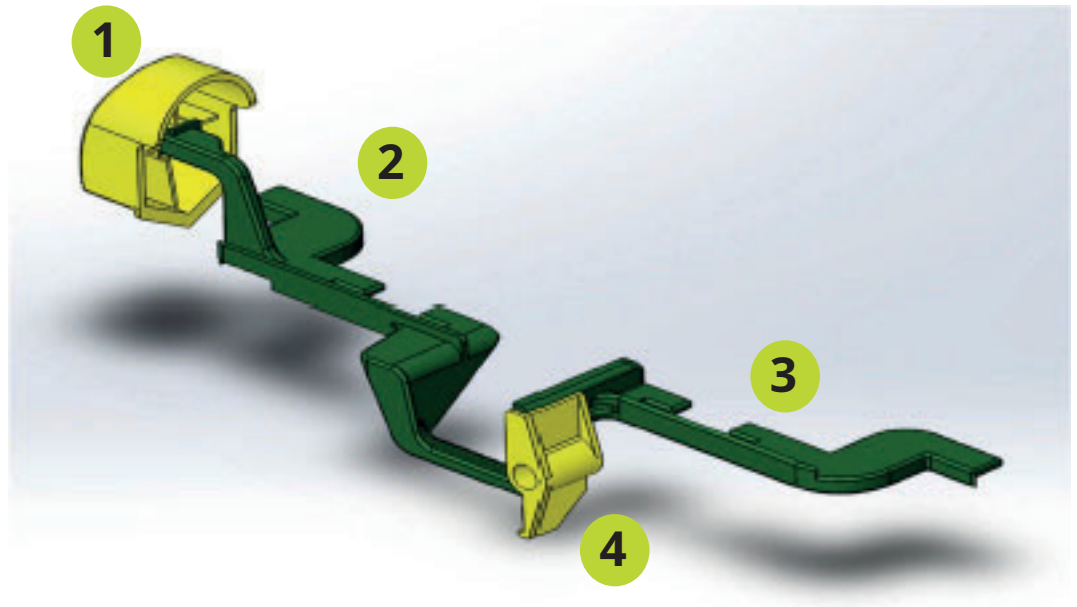
7



You can now unscrew the four screws that secure the swivel lock assembly to the upper part of the frame.

Now lift out the old swivel lock unit and replace it with a new one. Tighten the four screws that secure it to the top of the frame. Fit the upper part of the frame to the main frame and screw in the four screws that secure them together.

8



Now we are going to reinstall the handle locking mechanism. It may take some effort to get this right.

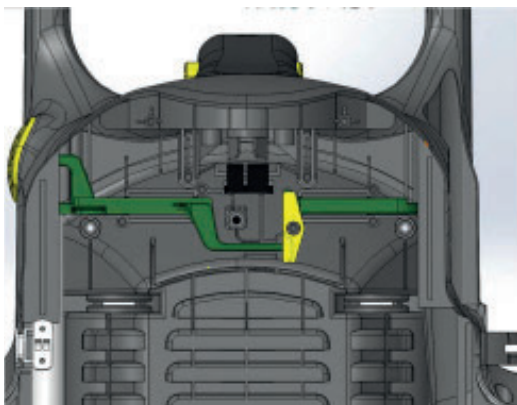
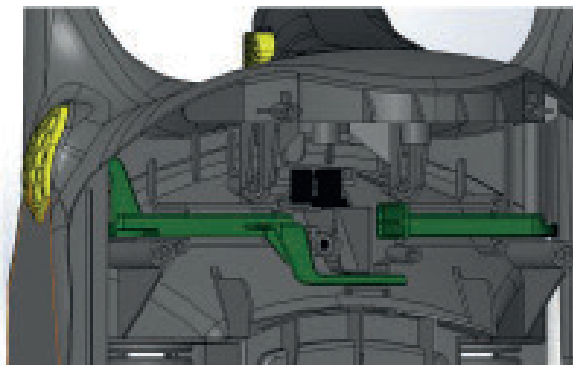
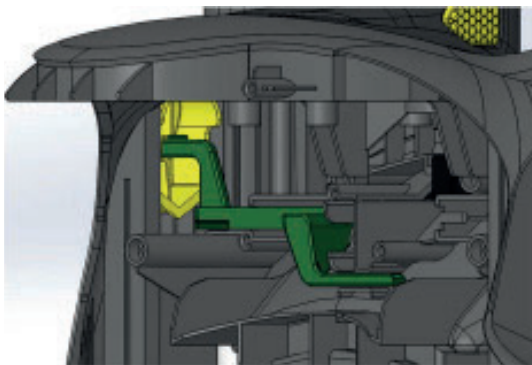
Start by inserting the release button (1) into the corresponding hole in the frame.

2. Insert the locking arm (2) into the groove on the left side of the frame and make sure that it is properly attached to the release button

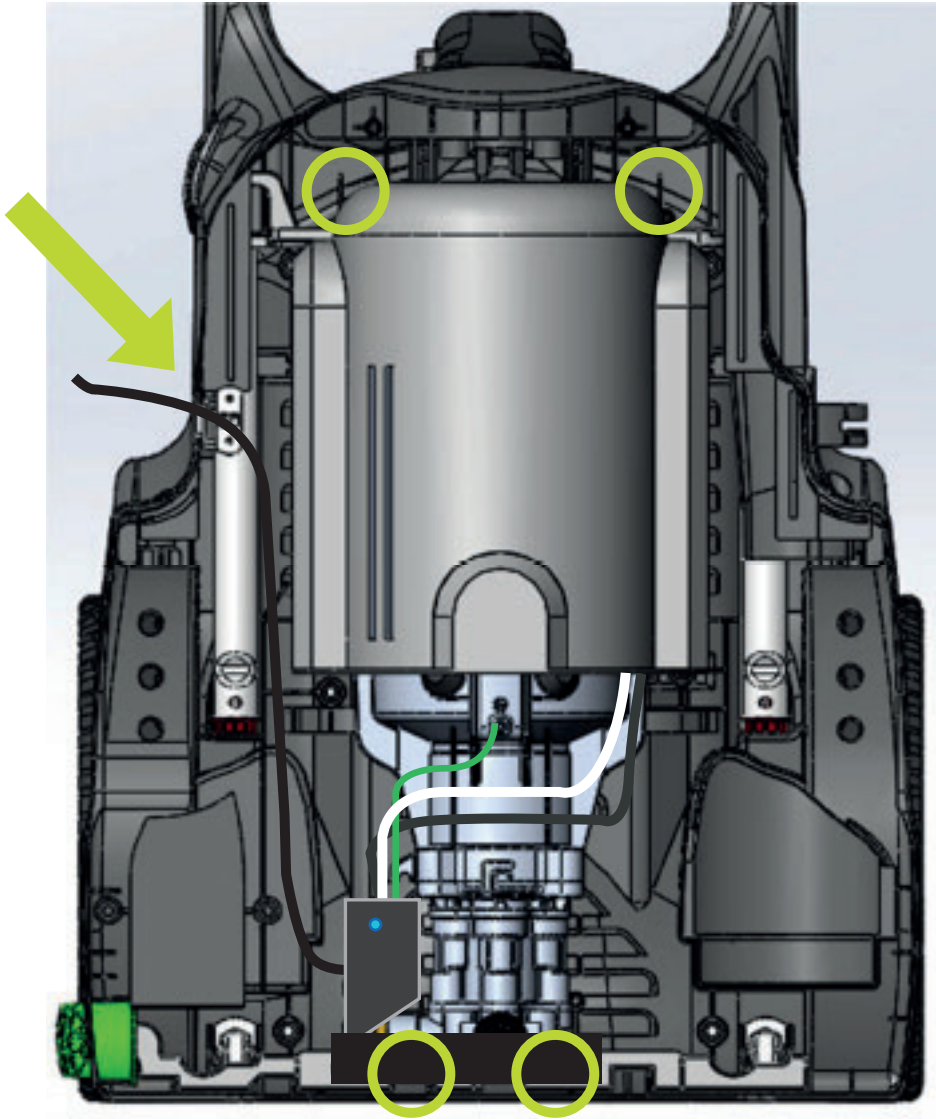
1. Make sure that the entire spring fits into the corresponding box space in the frame, otherwise the handle will not lock correctly.

3. Repeat the procedure with locking arm (3) on the right side. Finally, attach the rocker arm and lock it with a screw and washer.

5. Test the entire locking mechanism by pulling out the handle and making sure that the locks engage on both sides. If it does not lock, make sure that the coil springs are positioned correctly.



9



Now put the motor and pump back in place.

Start by passing the high pressure hose through the shaft of the new swing locking unit.

2. If you disconnected the high pressure hose from the pump, lubricate some of the grease on the O-ring and reconnect it to the pump. Lock it in place with the U-clip you removed when you released the hose.

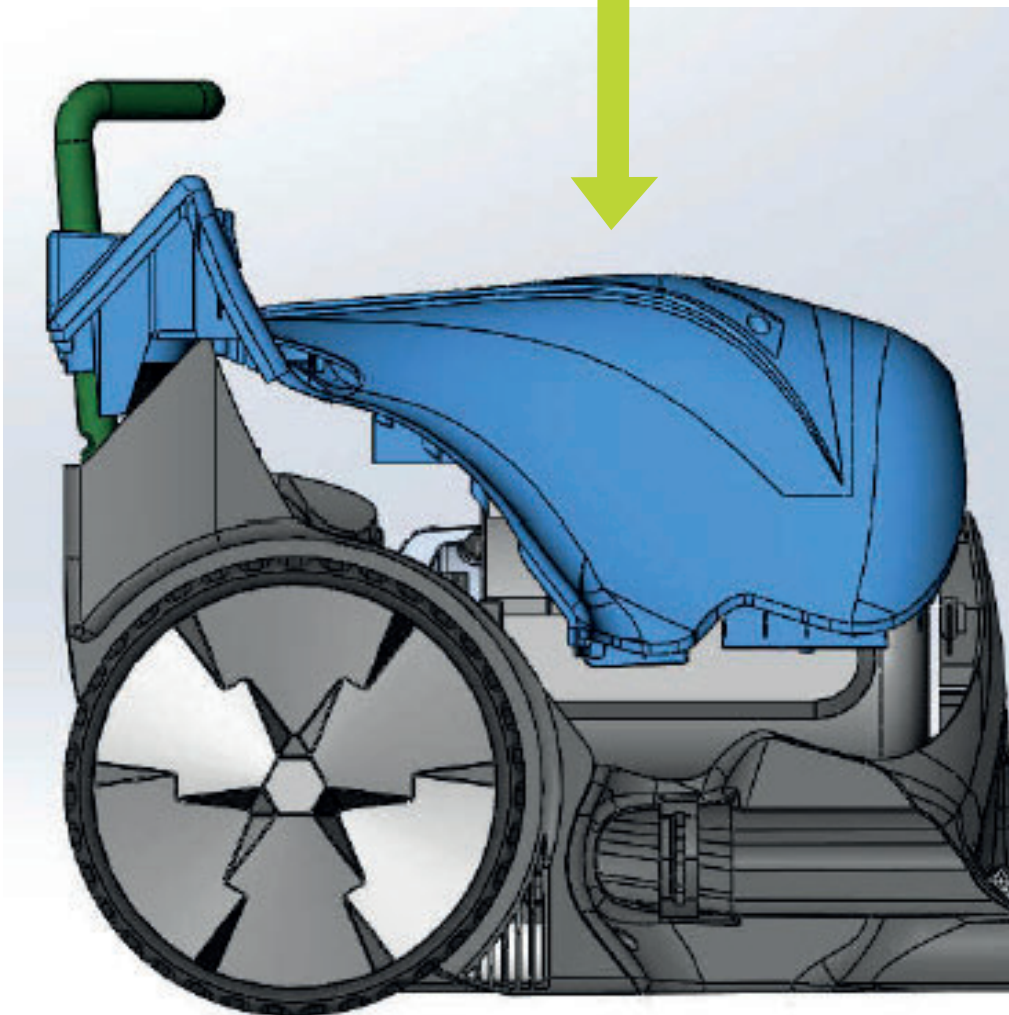
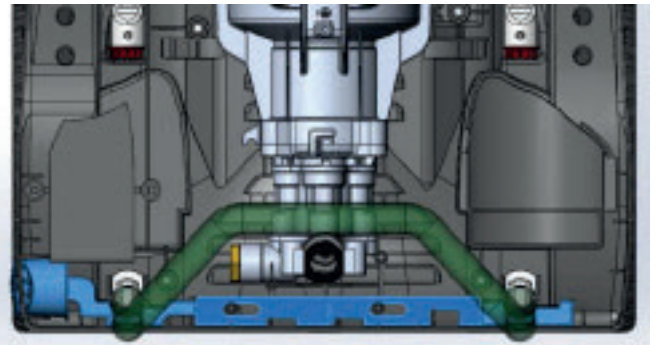
3. Replace the power cord in the slot in the frame.

4. Place the motor and pump back into the frame. If the motor is correctly positioned, the holes in the frame should match the holes in the motor and the pump cover. If not, lift the engine and check that the high pressure hose is properly positioned, it should be in two recesses in the plastic band of the hose.

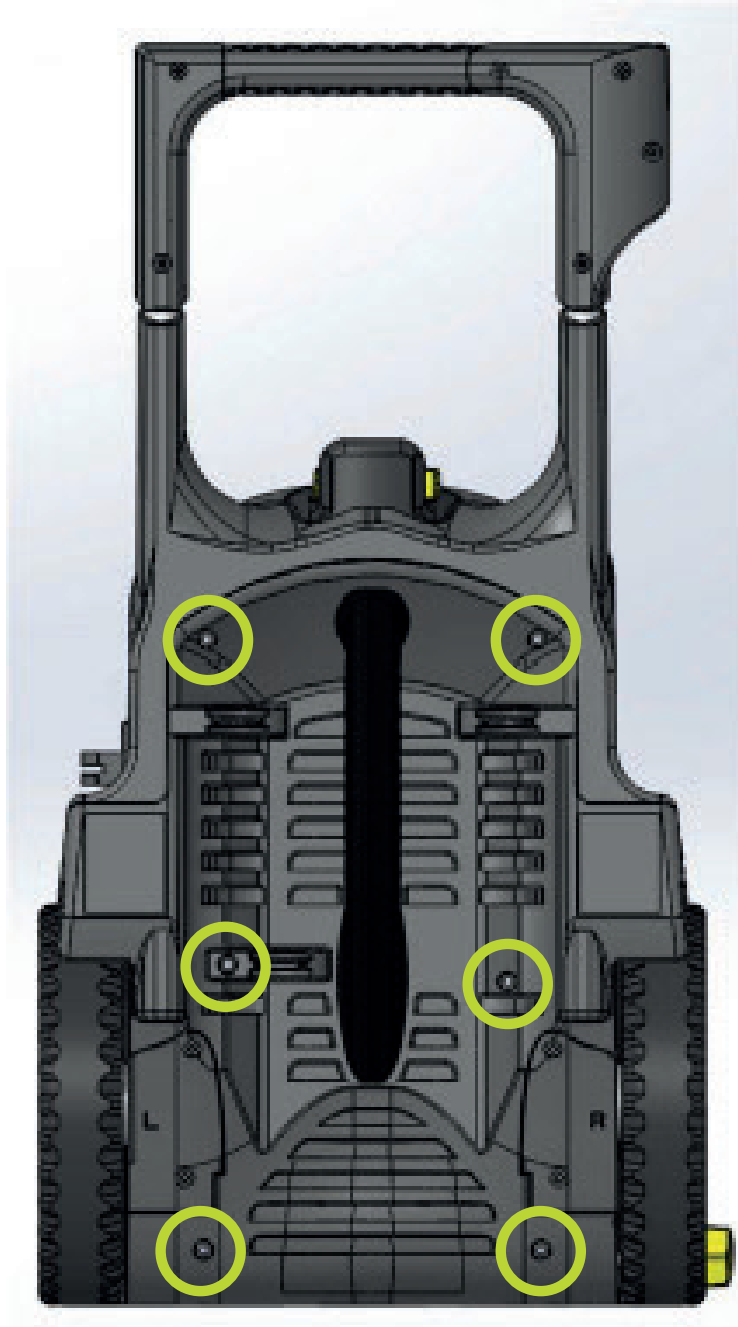
5. Tighten all four screws.

10

To change the cover (blue), press the release button on the front (green arrow) so that the front holder (green) can be pushed into place. Once you have the front stand and locking rail in place, you can start attaching the cover. Make sure that all support structures and lips on the front cover line up with the frame. It may take a few tries to achieve this. Feel free to use tape to hold the front cover in place when you are happy.



11



Lift the machine up. Attach the six screws that secure the front cover to the frame. It is easiest to start with the bottom screws. Then the top ones and finally the middle ones. Make sure that all lips and support structures on the front cover are in the correct position when tightening the screws. Do not tighten the screws too much, they are threaded in plastic.

Finally, we will mount the hose wheel on the new swivel lock unit.

Begin by passing the high pressure hose through the left side of the wheel holder. Apply some grease to the O-ring and attach the high pressure hose 1 to the wheel swivel and secure it with the clamp 2.

Place the right and left sides of the roller holder over the aluminum shaft. Before screwing the hose roller assembly together, make sure that both sides match the grooves in the aluminum shaft. Screw the drum holder together.

There should be no distance between the two sides of the wheel holder. The machine should now be ready for use.

