



AVA MASTER SERIES

Replacing Handles

Needed tools:

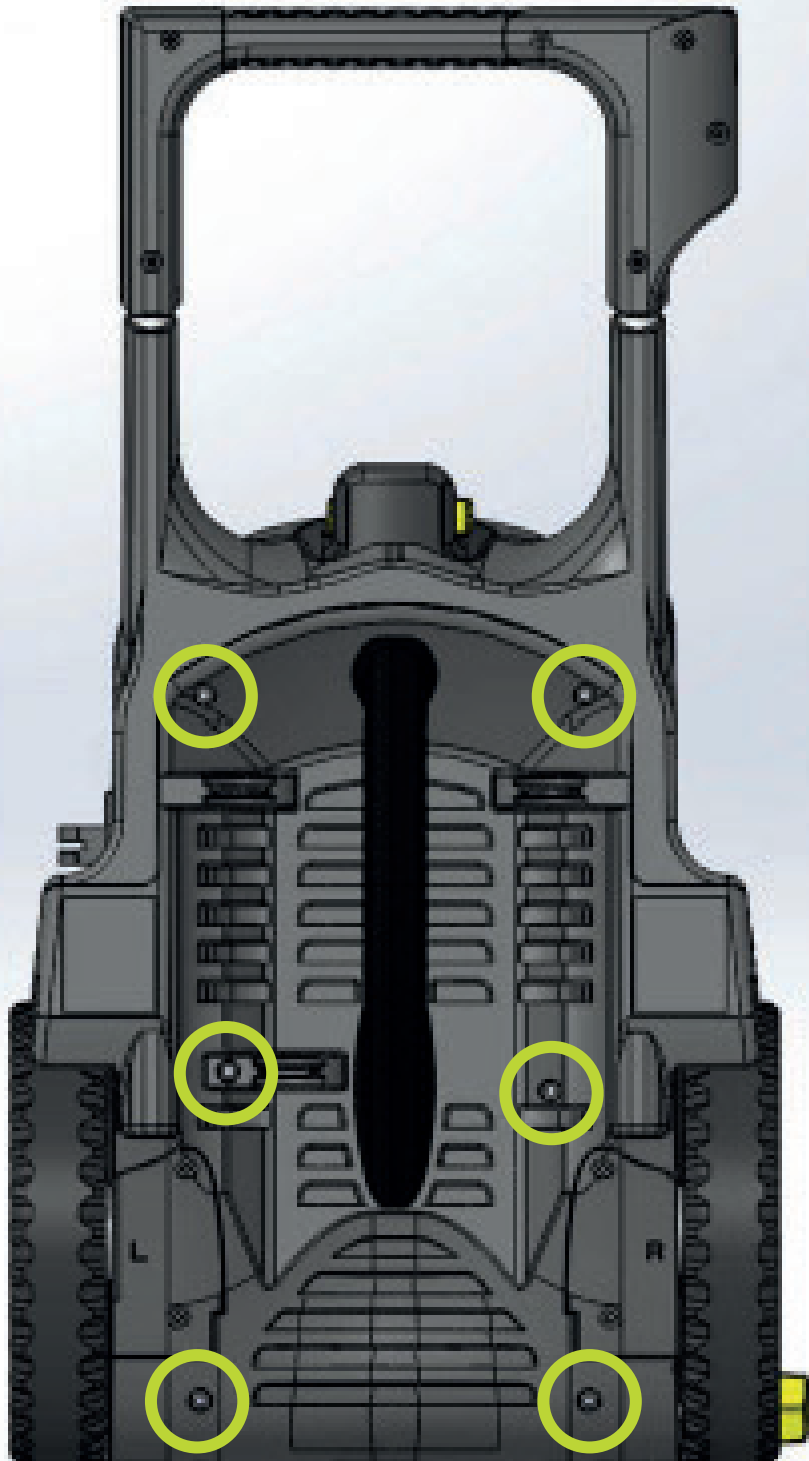
- T25 (torx) screwdriver with a length of 200mm minimum.

1



NOTE! Disconnect all power before starting service!

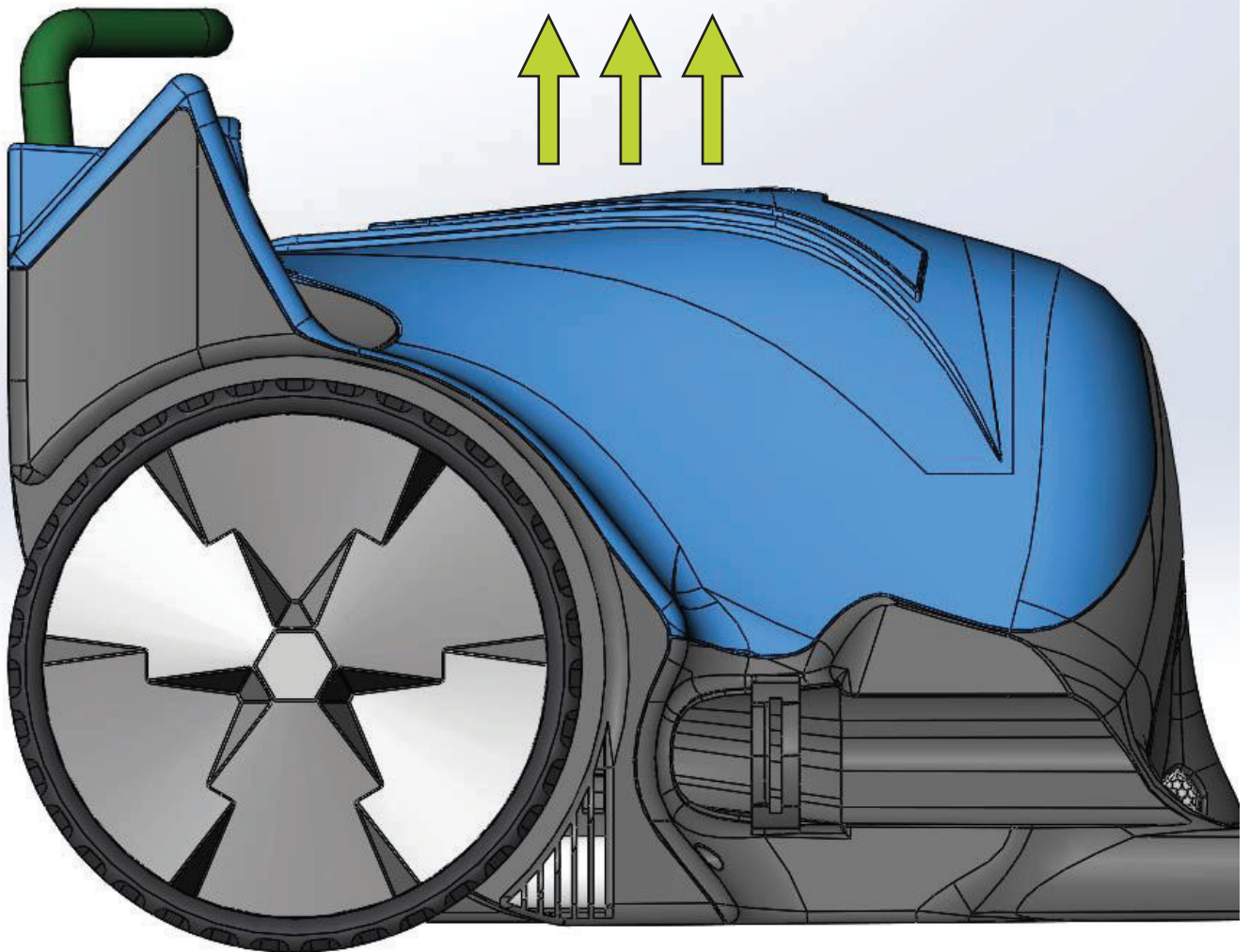
Remove the six screws from the back of the machine as indicated on the drawing.



2

Turn off the water filter if you have not already done so. It should now be possible to remove the front cover marked here in blue.

The aluminum bracket marked in green will come off with the front cover.



3

- You can now unscrew the end stops on the aluminum pipe. These are fastened with a screw each (1). After the screws have been loosened, these must be possible to pull out of the aluminum tube.

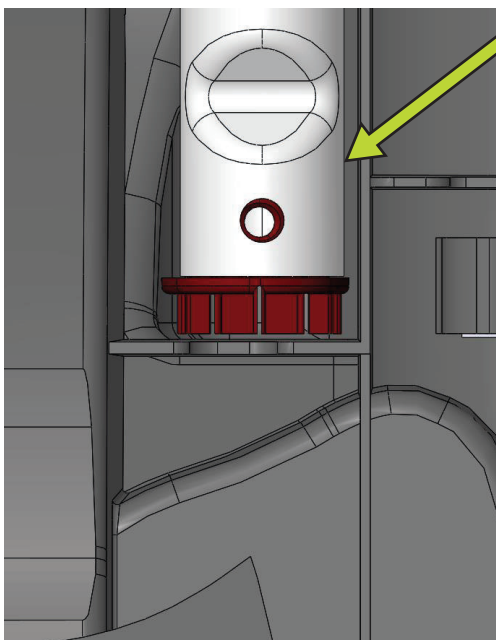
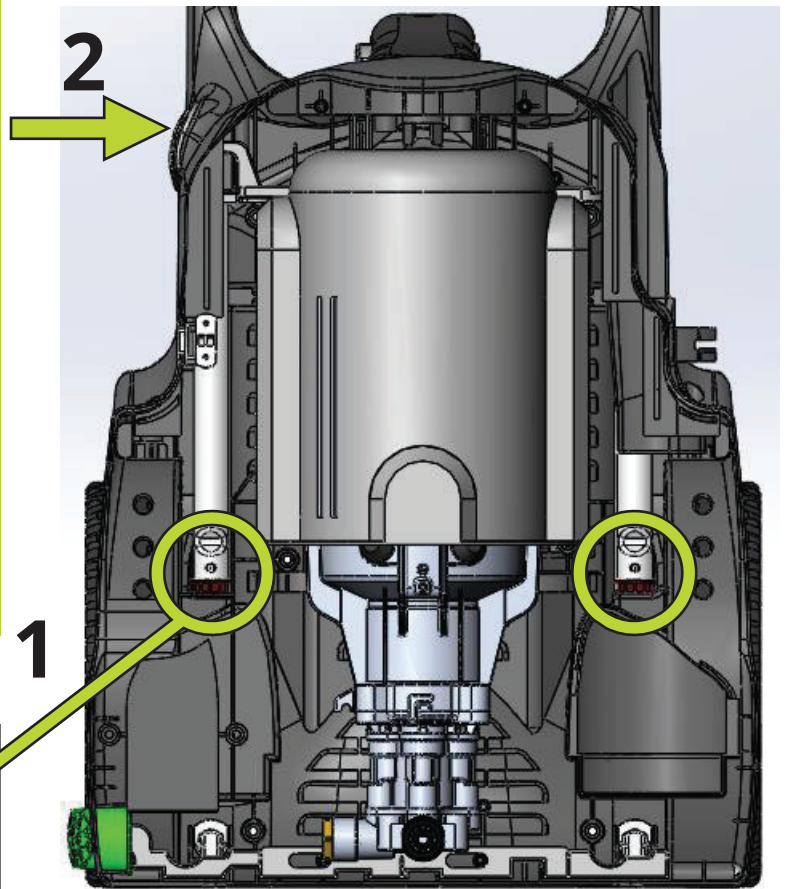
- The handle can now be pulled out of the machine.

- Make sure that the end stops are removed on the new handle before inserting it.

- When inserting the new handle, the release button (2) must be pressed, otherwise the handle will not go far enough into the machine.

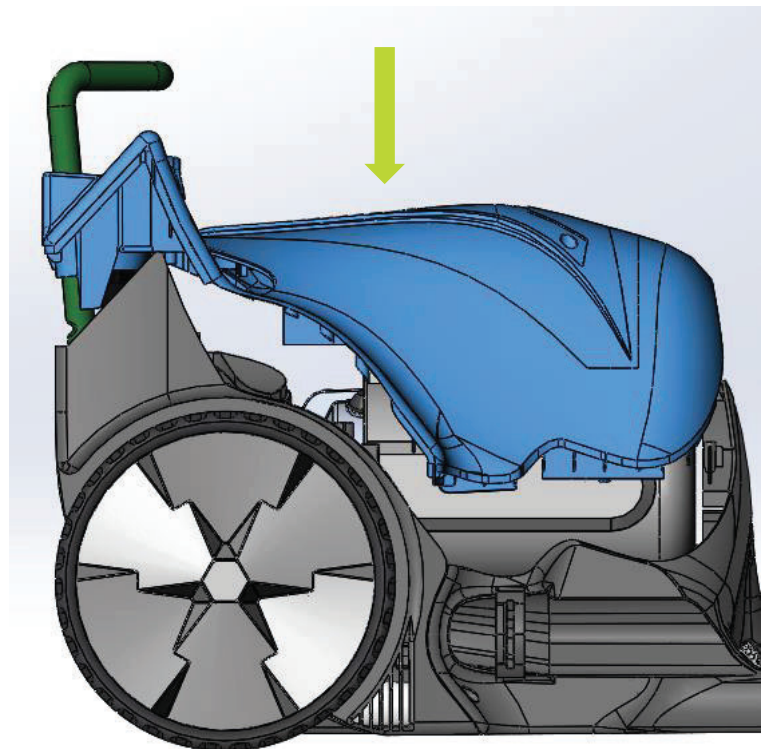
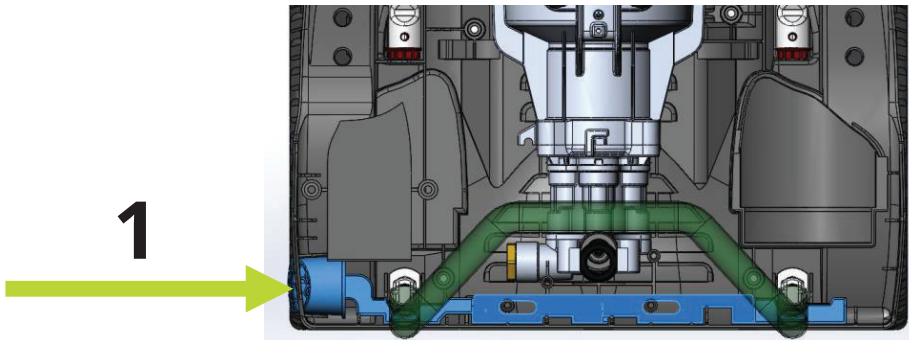
- Attach the end stops and secure them with screws.

- Check that the handle slides easily in and out, and that it locks in both positions.



4

- To be able to replace the cover (Blue), you must press the footrest release button (1) so that the footrest (Green) can be pushed into place.
- Once you have the footrest and the locking rail in place, you can start putting on the cover.
- Make sure that all support structures and lips on the foot cover end up on the inside before screwing the machine back together. It may take some effort to achieve this.



5

Raise the machine.

Fasten the six screws you removed in the first step. It is easiest to start with the screws at the bottom. Then the top ones and finally the ones in the middle. Make sure all lips and support structures on the front cover are in correct position as you screw in the screws.

Do not overtighten the screws, they are threaded in plastic.

The machine should now be ready for use.

