



AVA MASTER SERIES

# Replacement of Hose Reel

**Needed tools:**

- T25 (torx) screwdriver with a length of 200mm minimum.
- Small flat screwdriver
- Pliers

1

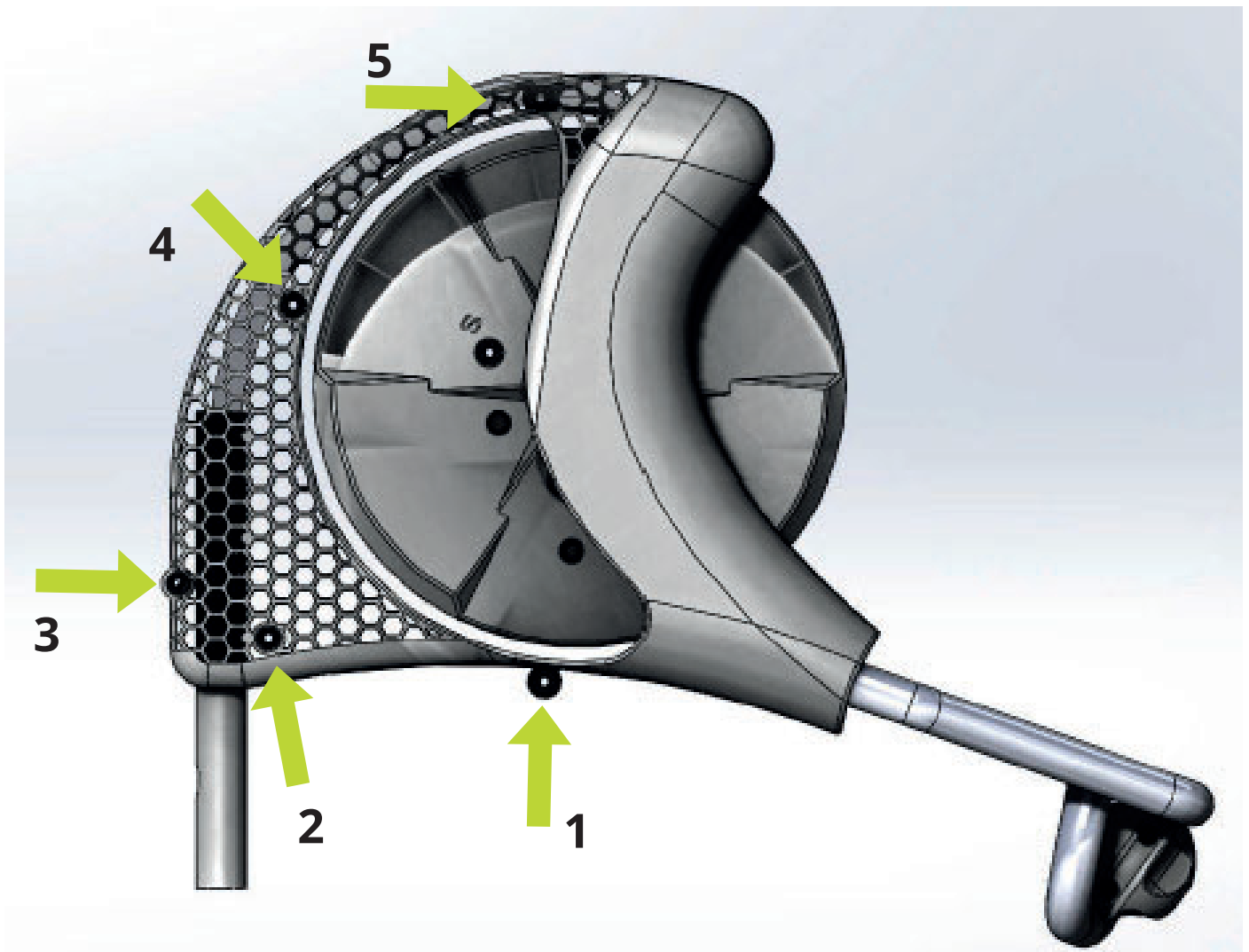


**NOTE!** Disconnect all power before starting service!

Pull out all the hose on the drum.

Unscrew screws 1-5.

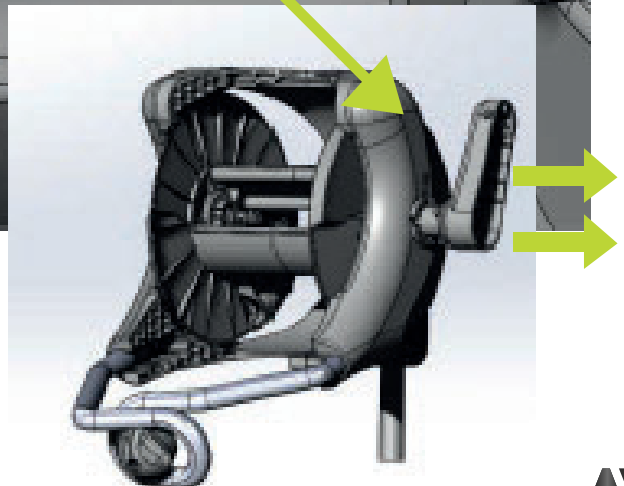
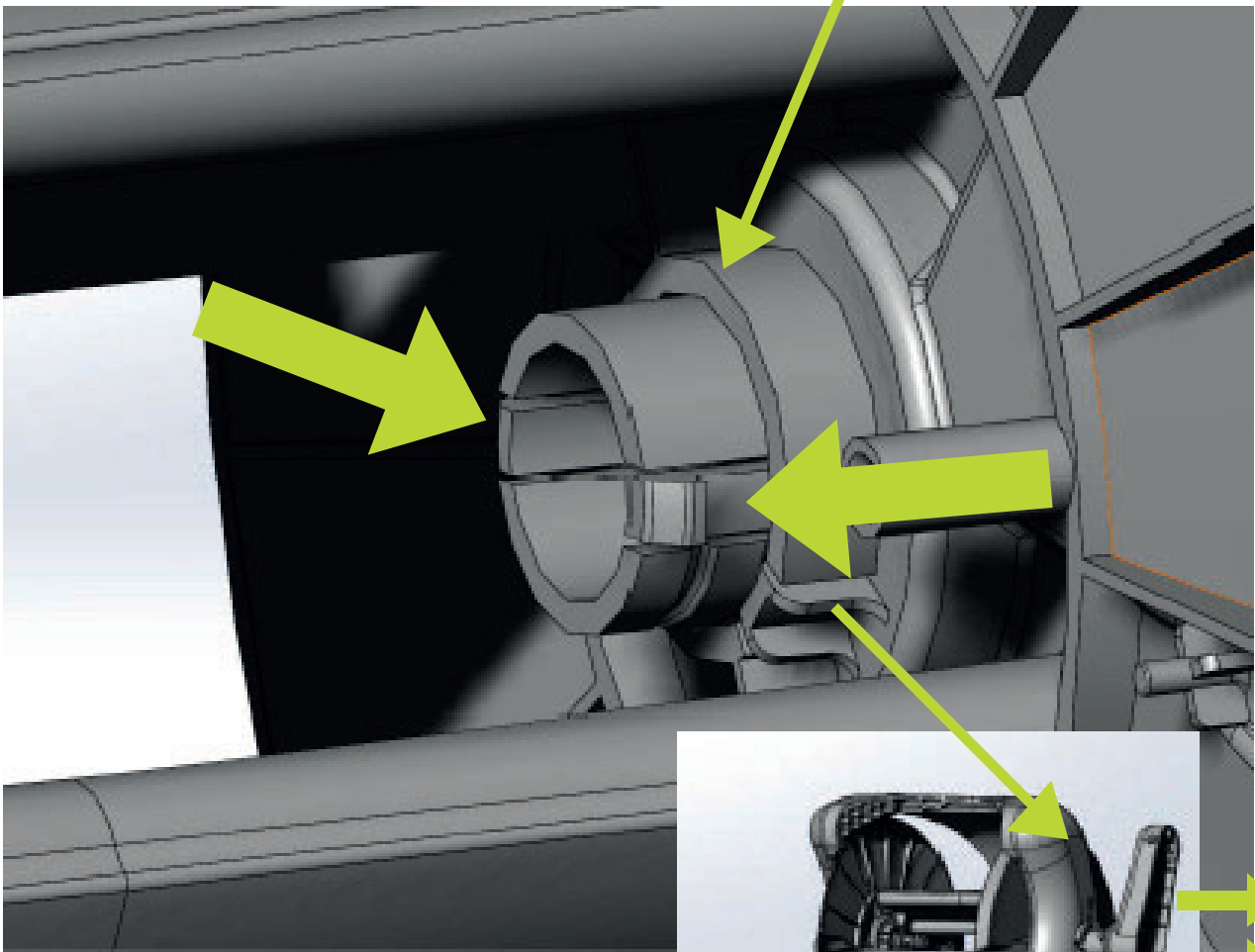
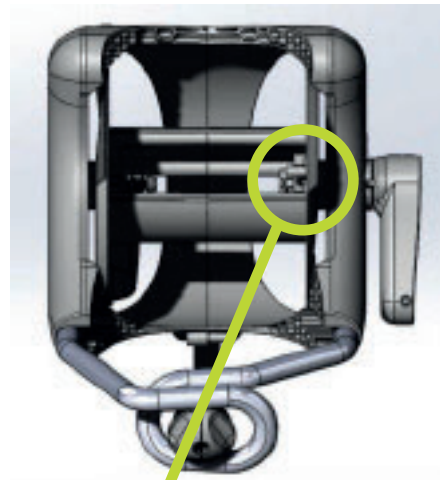
Screw number 5 is behind the hose.



2

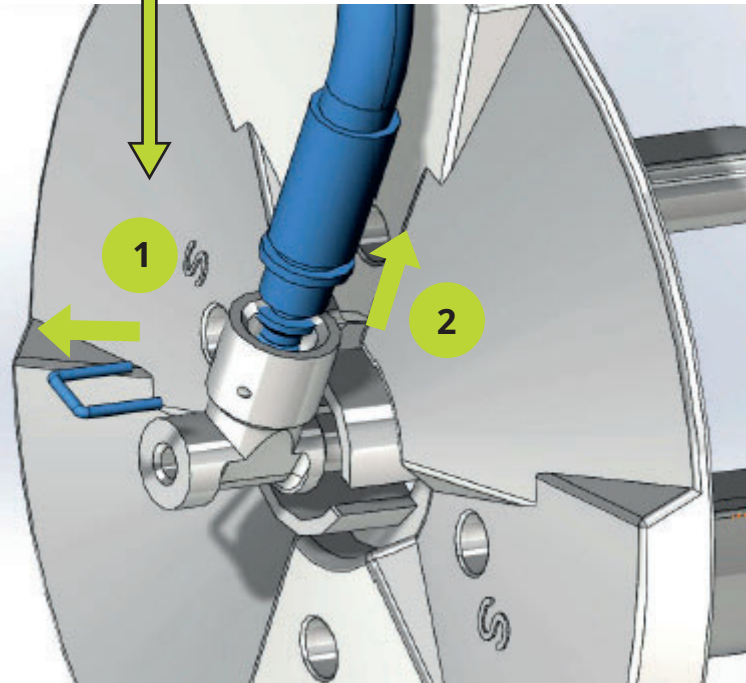
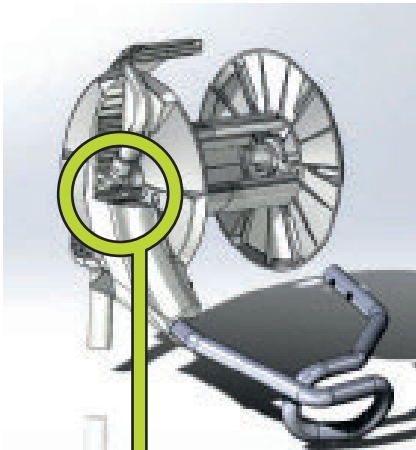
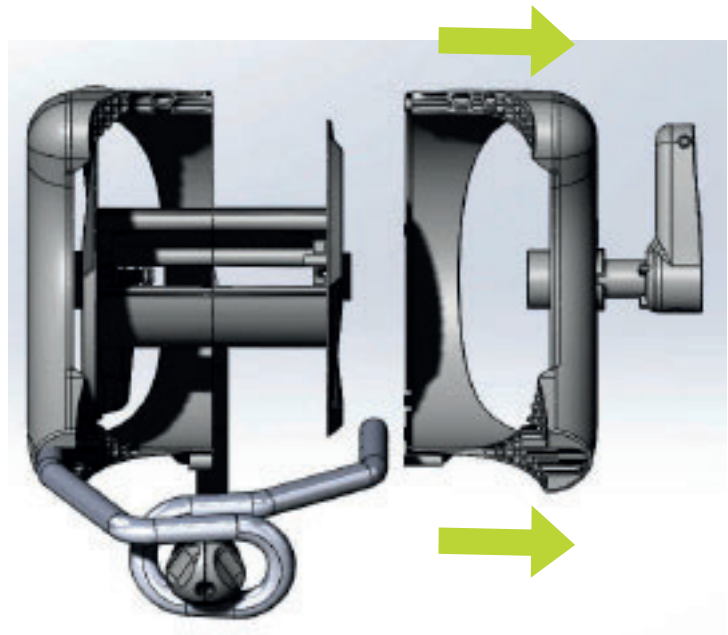
Push the two locking lugs that hold the crank of the reel toward the center.

At the same time, pull the crank out of the drum. It is not necessary to pull the crank completely out of the reel holder.



3

You can now subtract the  
Right side off  
the reel holder



To release the left side of the  
reel, pull the locking pin (1) out  
of the 90 degree swivel.  
(Again, use a flat-blade  
screwdriver or similar if it  
firmly attached).

# 4

Assembly is the reverse order of disassembly. You may want to check that the coupling to the swivel is tight before screwing everything together.

**NOTE!** Before screwing the reel holder together, make sure that both sides match the grooves in the aluminum shaft.

